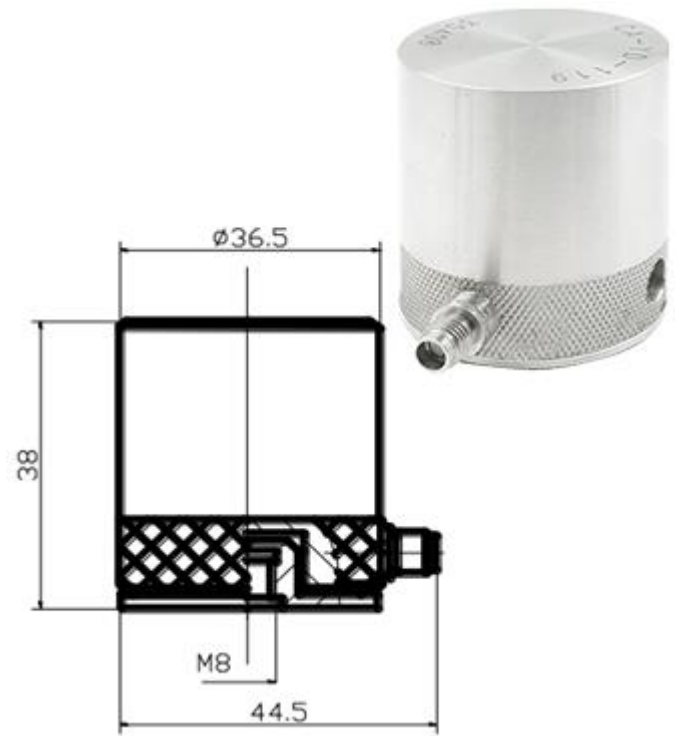
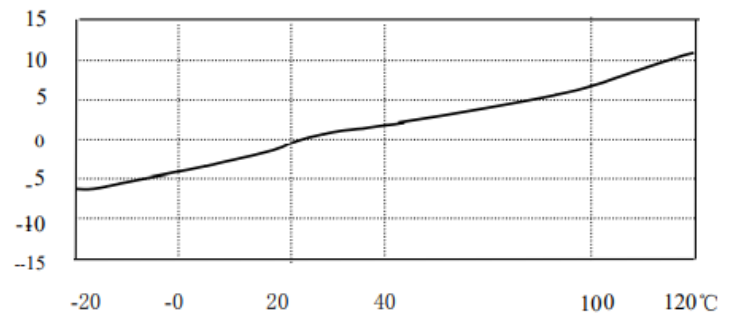


### Specifications:

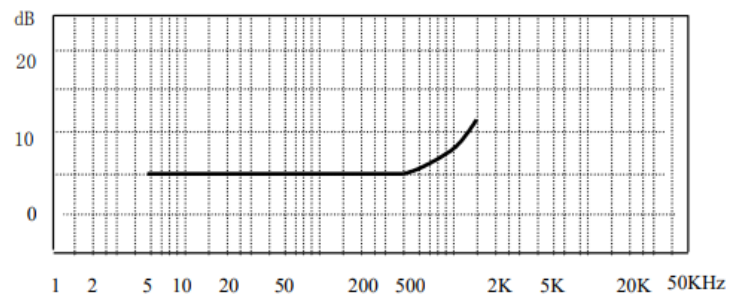
Axial Sensitivity (20±5°C)	10000 pC/g
Measurement Range (Peak Value)	10 g
Transverse Sensitivity	≤ 5%
Frequency Response (±5%)	0.2~500 Hz
Mounting Resonance Frequency	4.5 kHz
Operation Temp. Range	-40~+120 °C
Temperature Response	Refer to Temp. Curve
Temperature Coefficient	30 mg/°C(0.3Hz)
Magnetic Sensitivity	2 g/T (50Hz, 0.03T)
Base Strain Sensitivity	0.5 g/με
Insulation Capacitance	≥ 10 <sup>9</sup> Ω
Capacitance	~46000 pF
Mounting Method	M8
Sensing Element	PZT-5
Sensing Geometry	Memory Ring, Shear
Case Material	Stainless Steel
Weight	300 g
Output Type	L6 (side)
Grounding	Signal Ground Connected to Case
M8 Stud, Protection Cap	Included
Low Noise Cable to BNC	Included
Calibration Certificate	Included



Schematic diagram



Typical Temperature Response Curve



Typical Frequency Response Curve