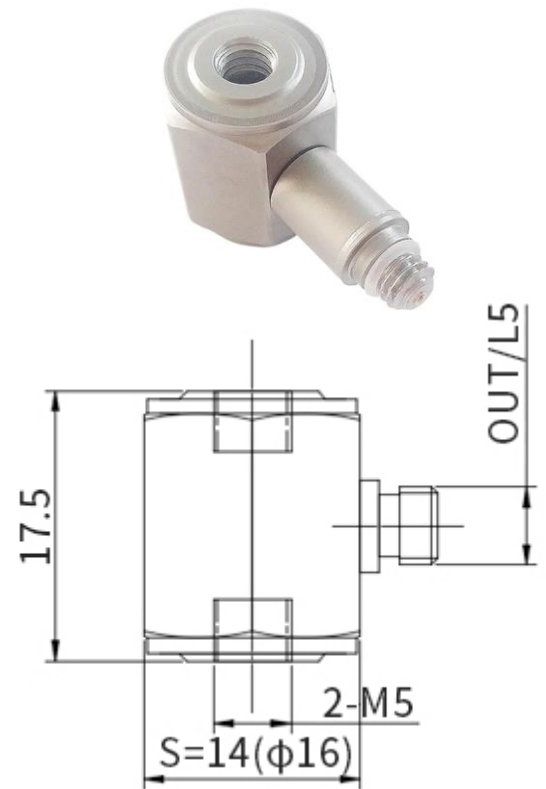




Specifications:

|   |                                 |
|---|---------------------------------|
| Axial Sensitivity (20±5°C)                      | ~ 10 mV/N                       |
| Tension and Compression Sensitivity Discordance | ≤ 2%                            |
| Measurement Range                               | ± 0.5 kN                        |
| Non linearity                                   | ≤ 1% F.S.                       |
| Power Supply Voltage (Constant Current Source)  | +24~+28 VDC                     |
| Operating Current                               | 2~10mA (Typical 4mA)            |
| Mounting Resonance Frequency                    | > 70 kHz                        |
| Operation Temp. Range                           | -40~+120 °C                     |
| Mounting Method                                 | 2-M5                            |
| Sensing Element                                 | Quartz                          |
| Case Material                                   | High-Strength Stainless Steel   |
| Weight  | ~ 17 g                          |
| Output Type                                     | L5 (side)                       |
| Grounding                                       | Signal Ground Connected to Case |
| Low Noise Cable to BNC                          | Included (2m)                   |
| Calibration Certificate                         | Included                        |



Schematic diagram