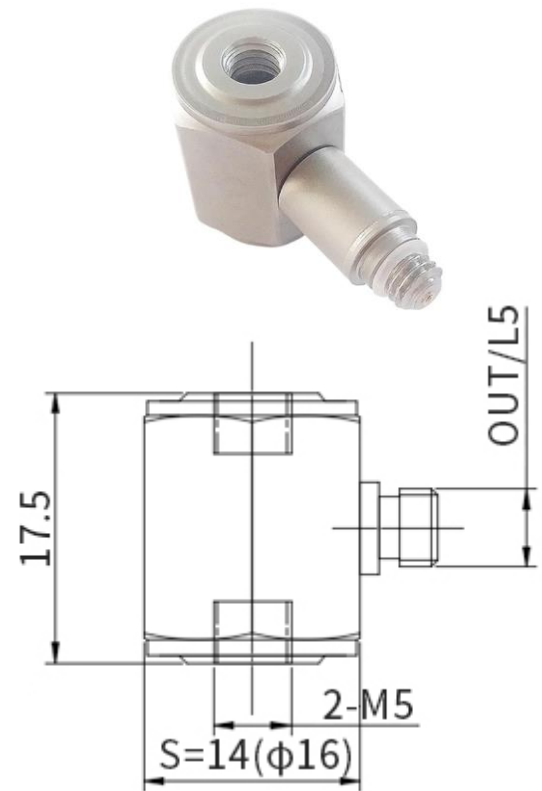




Specifications:

Axial Sensitivity (20±5°C)	~ 2.5 mV/N
Tension and Compression Sensitivity Discordance	≤ 2%
Measurement Range	± 2 kN
Non linearity	≤ 1% F.S.
Power Supply Voltage (Constant Current Source)	+24~+28 VDC
Operating Current	2~10mA (Typical 4mA)
Mounting Resonance Frequency	> 70 kHz
Operation Temp. Range	-40~+120 °C
Mounting Method	2-M5
Sensing Element	Quartz
Case Material	High-Strength Stainless Steel
Weight	~ 17 g
Output Type	L5 (side)
Grounding	Signal Ground Connected to Case
Low Noise Cable to BNC	Included (2m)
Calibration Certificate	Included



Schematic diagram